

Rotary Joint For Steam (DN20-DN50)

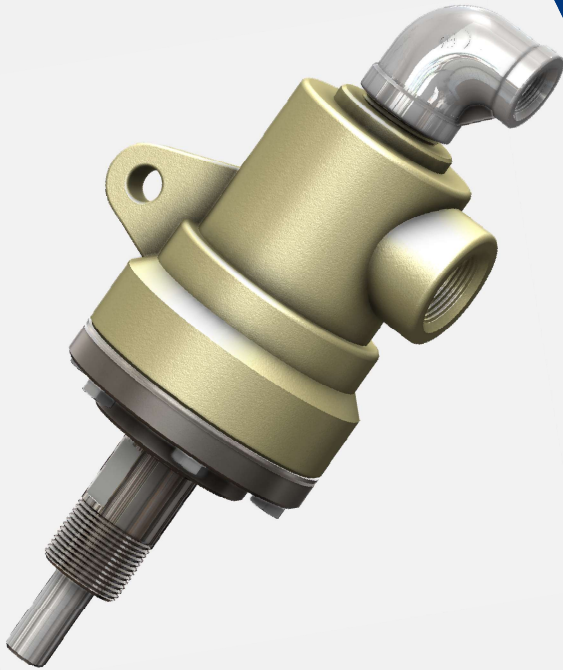
Operating Limits

Max. Pressure
≤ 17 bar

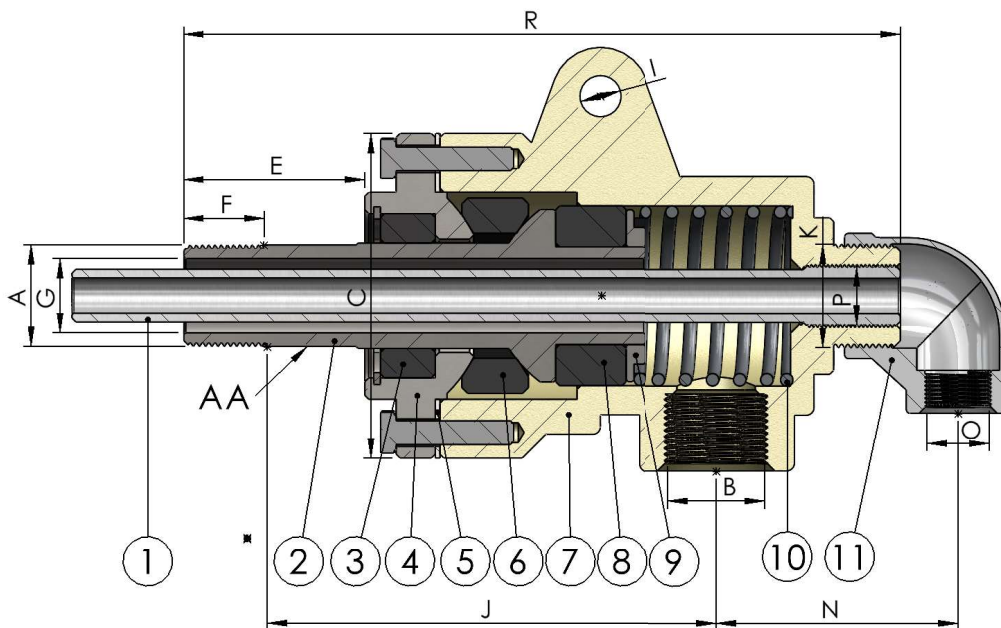
Max. Temperature
200°C

Max. Speed
750 Rpm

Please contact with our company for different working conditions.



| NO | Parts | Material |
|----|------------------------|-------------------|
| 1 | siphon | Stainless steel |
| 2 | Rotation axis | Carbon Steel 4140 |
| 3 | Guide ring | graphite |
| 4 | Spherical cover | Carbon Steel 4140 |
| 5 | Gasket | Asbestos rubber |
| 6 | Spherical sealing ring | graphite |
| 7 | shell | Ductile Iron |
| 8 | Cylindrical ring | graphite |
| 9 | Spring pad | Carbon Steel 4140 |
| 10 | Spring | Stainless steel |
| 11 | elbow | Carbon Steel |



| DN | MODEL | A | B | C | O | E | F | G | I | J | R | K | P | N | AA | siphon*** | KG** |
|------|---------|--------|--------|-----|------|----|----|----|------|-----|-----|--------|------|-----|----|-----------|------|
| DN20 | DEDB300 | 3/4" | 3/4" | 83 | 1/2" | 42 | 17 | 19 | 10.5 | 110 | 138 | 3/4" | 1/4" | 60 | 25 | 13.5×2.24 | 2.8 |
| DN25 | DEDB300 | 1" | 1" | 95 | 1/2" | 49 | 21 | 24 | 12.5 | 125 | 156 | 1" | 3/8" | 63 | 32 | 17.2×2.34 | 3.8 |
| DN32 | DEDB300 | 1.1/4" | 1.1/4" | 112 | 1/2" | 51 | 25 | 31 | 14.5 | 144 | 182 | 1.1/4" | 1/2" | 79 | 38 | 21.3×2.77 | 6.2 |
| DN40 | DEDB300 | 1.1/2" | 1.1/2" | 122 | 3/4" | 60 | 25 | 35 | 16.5 | 166 | 201 | 1.1/2" | 3/4" | 86 | 45 | 26.9×2.87 | 8 |
| DN50 | DEDB300 | 2" | 2" | 152 | 1" | 64 | 30 | 45 | 18.5 | 184 | 232 | 2" | 1" | 101 | 56 | 33.7×3.38 | 14.4 |

*Siphons, elbows and other connection elements are not included in the weight.

**For siphons, available alternative sizes may be used.