

DEMS 100-120

Çalışma Limitleri

Basınç: $\leq 1.2\text{MPa}$
 Hız: $\leq 10\text{m/s}$
 Sıcaklık: $-20^{\circ}\text{C} \sim +120^{\circ}\text{C}$

Operating Limits

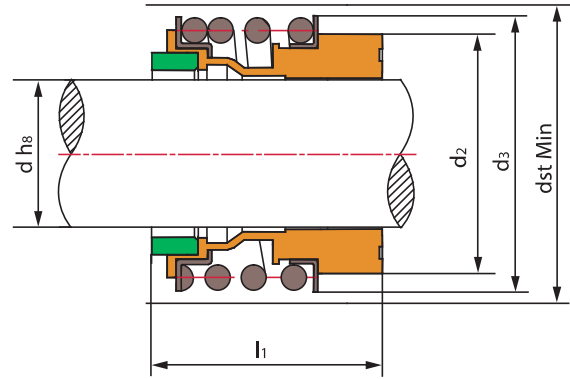
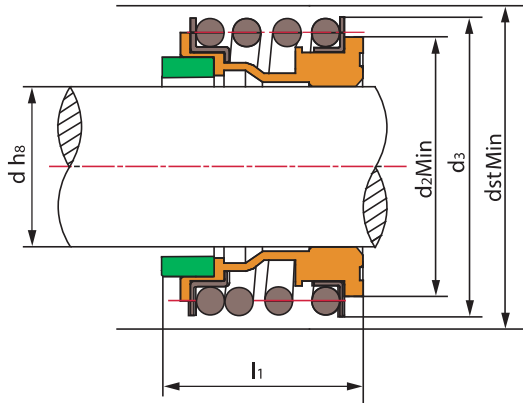
Pressure: $\leq 1.2\text{MPa}$
 Speed: $\leq 10\text{m/s}$
 Temperature: $-20^{\circ}\text{C} \sim +120^{\circ}\text{C}$



DEMS 100



DEMS 120



- Döner Yüzey (Carbon/SiC/TC)
- Sabit Eleman (Ceramic/SiC/TC)
- Elastomer (NBR/EPDM/VITON)
- Yay ve Diğer Parçalar (SUS304/SUS316)

- Rotary Ring (Carbon/SiC/TC)
- Stationary Ring (Ceramic/SiC/TC)
- Secondary Seal (NBR/EPDM/VITON)
- Spring & Other Parts (SUS304/SUS316)

DEMS 100						DEMS 120					
Seal size d(mm)	d	d ₂	d ₃	d _{st}	l ₁	Seal size d(mm)	d	d ₂	d _{st}	d ₃	l ₁
8	8	17.5	19.0	23	12.5	10	10	20.5	24	22.5	25.9
10	10	20.5	22.5	24	14.5	12	12	22.5	26	25.0	25.9
12	12	22.5	25.0	26	15.0	14	14	26.5	30	28.5	28.4
14	14	26.5	28.5	30	17.0	16	16	26.5	30	28.5	28.4
15	15	26.5	28.5	30	17.0	18	18	29.0	33	32.0	30.0
16	16	26.5	28.5	30	17.0	20	20	33.0	38	37.0	30.0
18	18	29.0	32.0	33	19.5	22	22	33.0	38	37.0	30.0
19	19	33.0	37.0	38	21.5	24	24	38.0	44	42.5	32.5
20	20	33.0	37.0	38	21.5	25	25	38.0	44	42.5	32.5
22	22	33.0	37.0	38	21.5	28	28	44.0	50	49.0	35.0
24	24	38.0	42.5	44	22.5	30	30	44.0	50	49.0	35.0
25	25	38.0	42.5	44	23.0	32	32	46.0	55	53.5	35.0
28	28	44.0	49.0	50	26.5	33	33	46.0	55	53.5	35.0
30	30	44.0	49.0	50	26.5	35	35	50.0	59	57.0	35.0
32	32	46.0	53.5	55	27.5	38	38	53.0	61	59.0	36.0
33	33	46.0	53.5	55	27.5	40	40	55.0	64	62.0	36.0
35	35	50.0	57.0	59	28.5	43	43	58.0	67	65.5	36.0
38	38	53.0	59.0	61	30.0	45	45	60.0	70	68.0	36.0
40	40	55.0	62.0	64	30.0	48	48	63.0	74	70.5	36.0
42	42	58.0	65.5	67	30.0	50	50	65.0	77	74.0	38.0
43	43	58.0	65.5	67	30.0	53	53	70.0	81	78.5	36.5
45	45	60.0	68.0	70	30.0	55	55	72.0	83	81.0	36.5
48	48	63.0	70.5	74	30.5	58	58	75.0	88	85.5	41.5
50	50	65.0	74.0	77	30.5	60	60	79.0	91	88.5	41.5
53	53	70.0	78.5	81	33.0	65	65	84.0	96	93.5	41.5
55	55	72.0	81.0	83	35.0	68	68	88.0	100	96.5	41.2
58	58	75.0	85.5	88	37.0	70	70	90.0	103	99.5	48.7
60	60	79.0	88.5	91	38.0	75	75	95.0	110	107.0	48.7
65	65	84.0	93.5	96	40.0	80	80	100.0	116	112.0	48.0
68	68	88.0	96.5	100	40.0	85	85	107.0	124	120.0	46.0
70	70	90.0	99.5	103	40.0	90	90	114.0	131	127.0	51.0
75	75	95.0	107.0	110	40.0	95	95	119.0	136	132.0	51.0
80	80	100.0	112.0	116	40.0	100	100	124.0	140	137.0	51.0
85	85	107.0	120.0	124	41.0						
90	90	114.0	127.0	131	45.0						
95	95	119.0	132.0	136	46.0						
100	100	124.0	137.0	140	47.0						