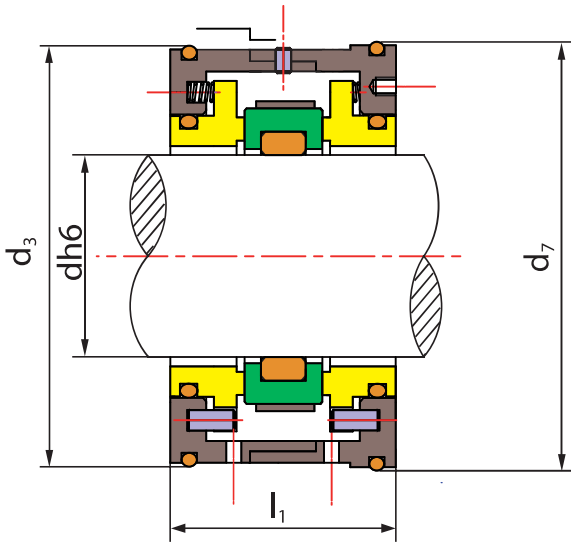


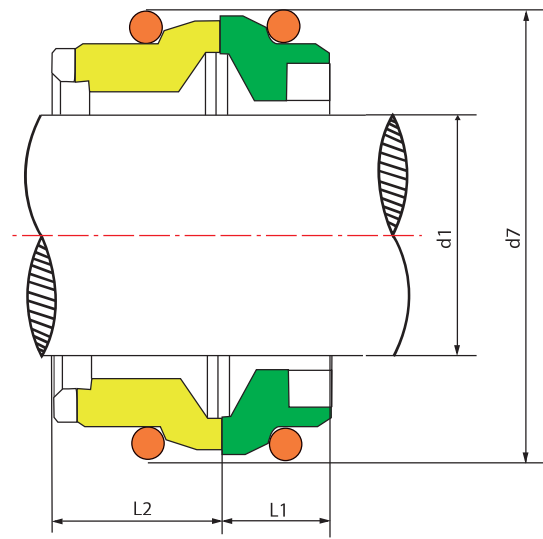
EMU pump DEMS EMU



- Rotary Ring (SiC/TC)
- Stationary Ring (SiC)
- Secondary Seal(NBR/EPDM/VITON)
- Spring & Other Parts(SUS304/SUS316)
- Pin(SUS304/SUS316)

Seal size d(mm)	d ₃	d ₇	l ₁
30	62	65	46
30A	62	65	46
35	67	70	46
35A	72	72	47
40	72	75	46
50	90	90	52
50A	83	89	46
60	92	99	46
75	128	130	75

APV pump DEMS APV-01



- Rotary Ring (SiC/TC/Carbon)
- Stationary Ring (Carbon/SiC/TC)
- Secondary Seal(VITON/Encapsulated Ring)

MODEL	d ₁	d ₇	L ₁	L ₂
U130-25	25	46	11.5	17.5
U130-35	35	56	11.5	17.5
30	44	45	30.5	12

- Seals to suit APV W Plus pumps
- Replace VULCAN TYPE16. PLUS