

Rotary Joint For Steam (DN90-DN125)

Operating Limits

Max. Pressure
300 psig (20 bar)

Max. Temperature
Up to 500°F(260°C)

Max. Speed
Up to 200 RPM

Media
Steam

Max. Pressure
150 psig (10 bar)

Max. Temperature
Up to 650°F(343°C)

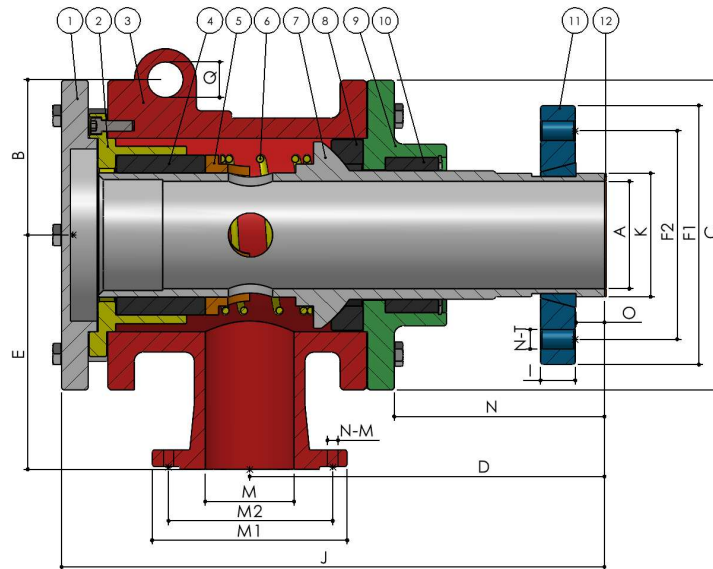
Max. Speed
Up to 200 RPM

Media
Thermal Oil

Please contact with our company for different working conditions.



NO	Parts	Material
1	Flange cover	Ductile iron
2	Sealing cover	Carbon steel 4140 (will be heat treated.)
3	shell	Ductile Iron
4	Cylindrical support ring	Graphite
5	Spring seat	Carbon steel 4140 (will be heat treated.)
6	Spring	Stainless steel
7	Rotation axis	Carbon steel Will be in one piece without welding. (will be heat treated.)
8	Spherical sealing ring	Antimony carbon
9	Lower cover	Ductile iron
10	Guide ring	Graphite
11	Alf Ring	Carbon steel 4140 (will be heat treated.)
12	Gasket	copper



DN	MODE	M	A	B	C	D	E	I	J	K	Q	N	O	F1	F2	N-T	M1	M2	N-M	KG
DN90	DEDB300	3"	86	119	232	274	165	32	438	100	30	159	25.4	216	177.8	6-18	200	160	8-18	
DN100	DEDB300	3"	99	140	279	305	203	35	483	112.7	30	179	25.4	229	190.5	6-18	200	160	8-18	
DN125	DEDB300	4"	121	175	349	399	254	39	614	139.2	40	232	32	292	235	8-22	220	180	8-18	